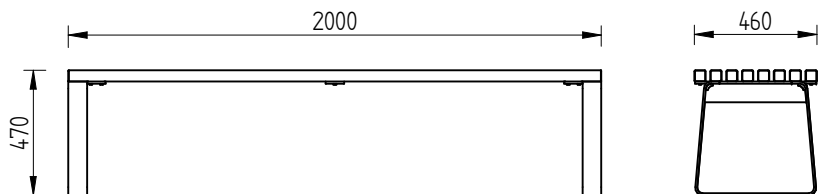


PRIMA BENCH

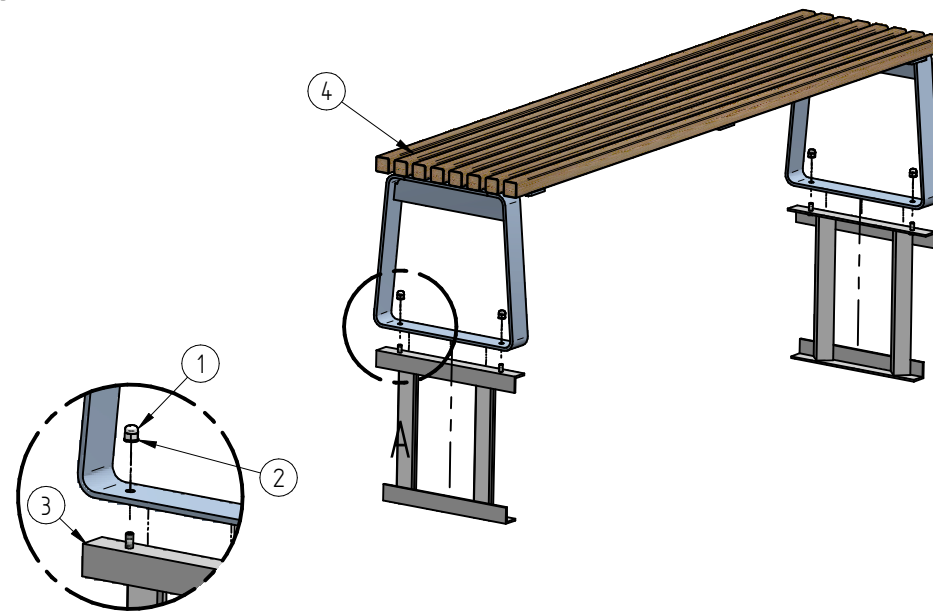
PRI200

Date: 05.07.2013

Page: 1/1

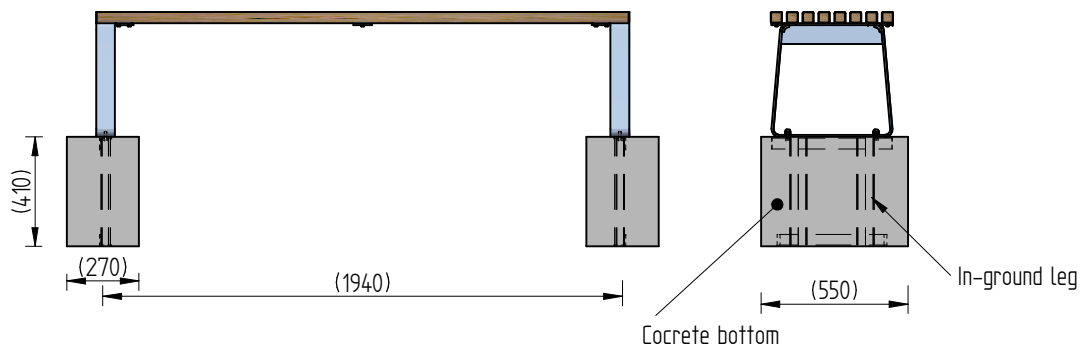


OP. 1

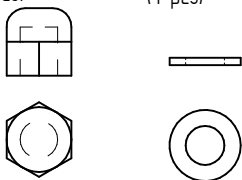


DETAIL A

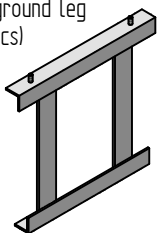
OP. 2



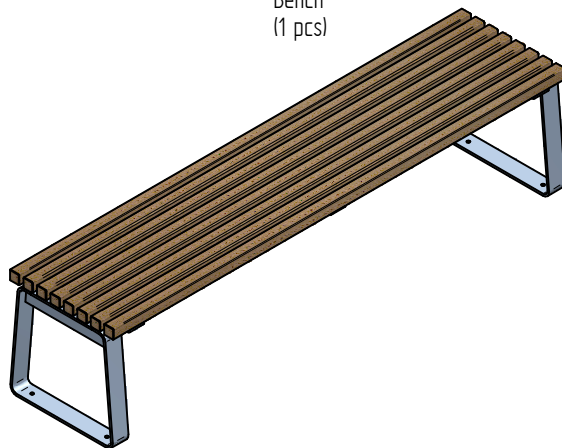
- 1 Nut M10 (4 pcs)
- 2 Washer $\phi 10$ (4 pcs)



- 3 In-ground leg (2 pcs)



- 4 Bench (1 pcs)



EXTERE